

## Order Codes

Re-Order Code	Product Description
10300S	GB2 Night Bag - Prescription
10301T	GB2 Night Bag – Hospital

## Night Stands

It is recommended that you use a night stand or bedside hanger to support the GB2 in use.

Re-Order Code	Product Description
10705P	Flat Pack Hanger
10708S	3 in 1 Metal Night Stand
10700J*	Hospital Bed Hanger

\* For hospital use only



Latex Free



Polybag is Recyclable



Wash Hands



Min/Max Temperature



Keep Dry



Single Use Only



NON STERILE



## Products available through Nightingale Home Delivery Service

1. Call **Freephone 0800 318 559** or **02920 747 770**.
2. Please ensure you have your GP details to hand.
3. Tell us which products are required and how many.

**That's all – We will do everything else!**

Please make sure you have at least two week's supply in hand before re-ordering.

### Complimentary Items Available:

- Hand Gels
- Radar Keys
- Wet and Dry Wipes
- Disposable Bags
- Night Stands
- Sponge Bag



Great Bear Healthcare Ltd  
1 Lambourne Crescent,  
Cardiff Business Park,  
Cardiff, CF14 5GF  
T +44 (0) 29 2074 7770

mail@gbhl.co.uk  
www.greatbearhealthcare.co.uk

GB2IFU1/2017



# GB2 Night Bag

## Instructions for use



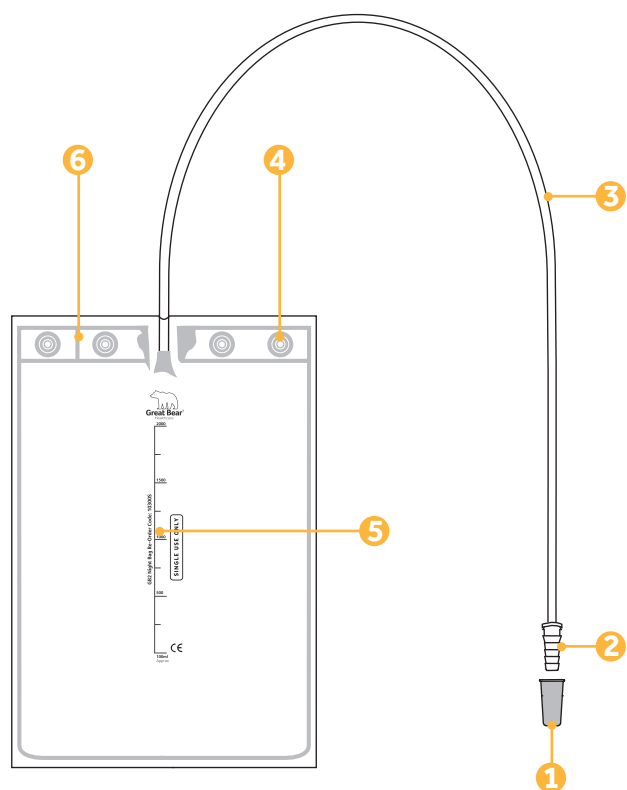
A UK manufacturer committed to Urology.

## Your GB2 Night Bag

GB2 Night Bag is a 2 litre, non-sterile bag designed for single use.

To reduce the risk of acquiring a catheter associated urinary tract infection do not disconnect your Libra Leg Bag from your Indwelling Catheter. A Leg Bag should only be disconnected when a new Libra Leg Bag is required – normally every 5-7 days.

A GB2 can be connected directly to a sheath.



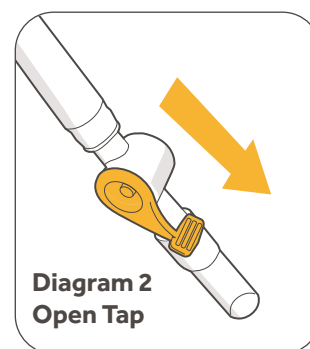
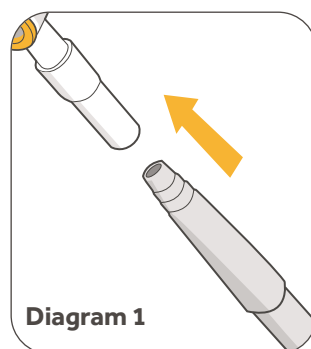
Key	
1 Protective Cap	4 Hanger Holes
2 Ridged Inlet Connector	5 Graduated Scale*
3 Inlet Tube	6 Tear open strip

\* The graduated scale is an approximation and should not be used for accurate measurement of urine output

## Instructions For Use

### Before Use

- 1) Wash Hands
- 2) Remove GB2 Night Bag from packaging
- 3) Remove the grey protective cap (1) from the GB2 inlet connector (2)

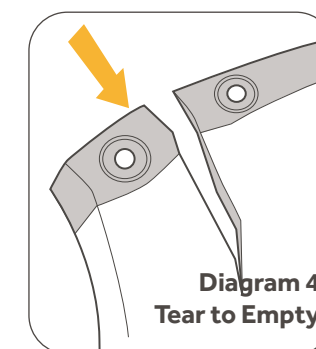
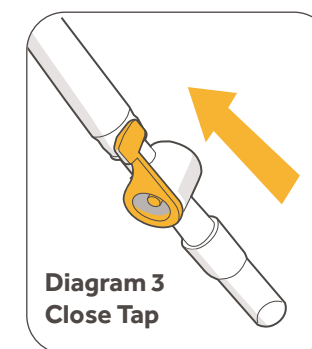


### Connection

- 1) Insert the ridged inlet connector (2) into the soft silicone tube on the outlet tap of your Libra Leg Bag (Diagram 1). Insert the connector fully to allow a secure connection between the GB2 and Libra Leg Bag
- 2) The GB2 should be positioned on a night stand using the hanger holes (4) located at the top of the GB2
- 3) Ensure the GB2 is positioned on a night stand at a level below the bladder for optimal drainage
- 4) Make sure the inlet tubing (3) isn't kinked which can restrict the flow of urine
- 5) To allow urine drainage from your Libra Leg Bag to the GB2 Night Bag ensure the tap on the Libra Leg Bag is in the open position (Diagram 2)

### Emptying

- 1) Close the Libra Leg Bag tap before disconnecting the GB2 Night Bag (Diagram 3)
- 2) To empty the GB2 Night Bag push your thumb firmly through the top left hand corner (6), and continue the tear downwards into the bag (Diagram 4)
- 3) Fully invert the bag, allowing urine to flow into the toilet



### Disposal

- 1) Dispose with normal household waste – do not flush down the toilet

### Cautions

- The GB2 is for single use only and cannot be reused
- Keep out of the reach of children

## Order Codes

Re-Order Code	Product Description
10303V	GB3 Night Bag - Prescription
10304W	GB3 Night Bag – Hospital

## Night Stands

It is recommended that you use a night stand or bedside hanger to support the GB3 in use.

Re-Order Code	Product Description
10705P	Flat Pack Hanger
10708S	3 in 1 Metal Night Stand
10700J*	Hospital Bed Hanger

\* For hospital use only



## Products available through Nightingale Home Delivery Service

1. Call **Freephone 0800 318 559** or **02920 747 770**.
2. Please ensure you have your GP details to hand.
3. Tell us which products are required and how many.

**That's all – We will do everything else!**

Please make sure you have at least two week's supply in hand before re-ordering.

### Complimentary Items Available:

- Hand Gels
- Radar Keys
- Wet and Dry Wipes
- Disposable Bags
- Night Stands
- Sponge Bag



# GB3 Night Bag

## Instructions for use



Latex Free



Polybag is Recyclable



Wash Hands



Min/Max Temperature



Keep Dry



Single Use Only



NON STERILE

Great Bear Healthcare Ltd  
1 Lambourne Crescent,  
Cardiff Business Park,  
Cardiff, CF14 5GF  
T +44 (0) 29 2074 7770

mail@gbhl.co.uk  
www.greatbearhealthcare.co.uk

GB3IFU1/2017



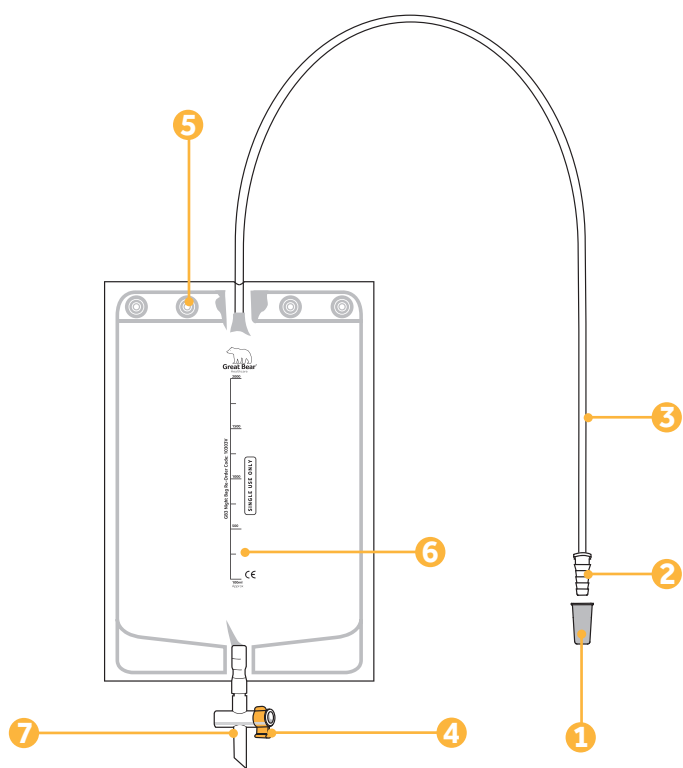
A UK manufacturer committed to Urology.

## Your GB3 Night Bag

GB3 Night Bag is a 2 litre, non-sterile bag designed for single use.

To reduce the risk of acquiring a catheter associated urinary tract infection do not disconnect your Libra Leg Bag from your Indwelling Catheter. A Leg Bag should only be disconnected when a new Libra Leg Bag is required – normally every 5-7 days.

A GB3 can be connected directly to a sheath.



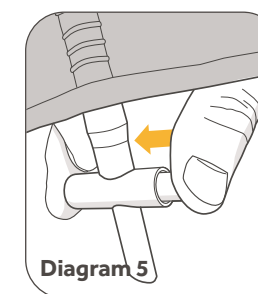
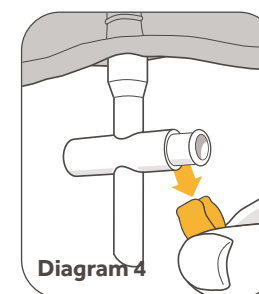
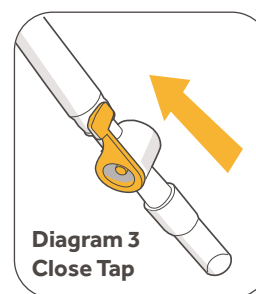
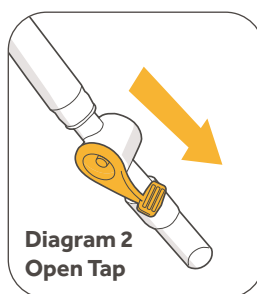
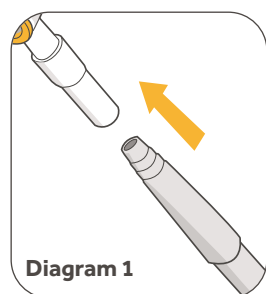
Key	
1 Protective Cap	5 Hanger Holes
2 Ridged Inlet Connector	6 Graduated Scale*
3 Inlet Tube	7 T-Tap
4 Safety Clip	

\* The graduated scale is an approximation and should not be used for accurate measurement of urine output

## Instructions For Use

### Before Use

- 1) Wash Hands
- 2) Remove GB3 Night Bag from packaging
- 3) Remove the grey protective cap (1) from the GB3 inlet connector (2)



### Connection

- 1) Insert the ridged inlet connector (2) into the soft silicone tube on the outlet tap of your Libra Leg Bag (Diagram 1). Insert the connector fully to allow a secure connection between the GB3 and Libra Leg Bag
- 2) The GB3 should be positioned on a night stand using the hanger holes (5) located at the top of the GB3
- 3) Ensure the GB3 is positioned on a night stand at a level below the bladder for optimal drainage
- 4) Make sure the inlet tubing (3) isn't kinked which can restrict the flow of urine
- 5) To allow urine drainage from your Libra Leg Bag to the GB3 Night Bag ensure the tap on the Libra Leg Bag is in the open position (Diagram 2)

### Emptying

- 1) Close the Libra Leg Bag tap before disconnecting the GB3 Night Bag (Diagram 3)
- 2) To empty the GB3 Night Bag pull the safety clip(4) in a downwards motion (Diagram 4)
- 3) To activate the t-tap(7), push the plunger to one side (Diagram 5) – please note once the tap has been used, it cannot be used again

### Disposal

- 1) Dispose with normal household waste – do not flush down the toilet

### Cautions

- The GB3 is for single use only and cannot be reused
- Keep out of the reach of children

## Cautions

- Ensure you fill in the Date Fitted Box (8) to allow you to monitor how long the GB4 has been in use. Change the GB4 every 5-7 days
- The GB4 should not be reused after disconnection from a catheter due to increased risk of infection
- Keep out of the reach of children
- Use of any medical device carries associated risks. Device failures are rare, however in the event of a device failure of this product, you should contact Great Bear Healthcare using the details provided within this leaflet
- If a failure has resulted in a serious incident, such as significant deterioration of health or death, you should contact Great Bear Healthcare and your local Competent Authority as soon as possible. Details of your local Competent Authority can be found on your local government website

## Order Codes

Code	Product Description
10400W	GB4 Night Bag - Prescription

## Night Stands

It is recommended that you use a night stand or bedside hanger to support the GB4 in use.

Code	Product Description
10705P	Flat Pack Hanger
10700J*	Hospital Bed Hanger

\* For hospital use only



## Products available through Nightingale Home Delivery Service

1. Call **Freephone 0800 304 7434**
2. Please ensure you have your GP details to hand.
3. Tell us which products are required and how many.

**That's all – we will do everything else!**

Please make sure you have at least two week's supply in hand before re-ordering.



# GB4 Night Bag

## Instructions For Use



Great Bear Healthcare Ltd  
1 Lambourne Crescent,  
Cardiff Business Park,  
Cardiff, CF14 5GF  
T +44 (0) 29 2074 7770

EC REP  
**MediReps Ltd**  
First Floor, Penrose One,  
Penrose Dock, Cork City,  
T23 KW81,  
Ireland

mail@gbhl.co.uk  
www.greatbearhealthcare.co.uk

GB4IFUV6/2022

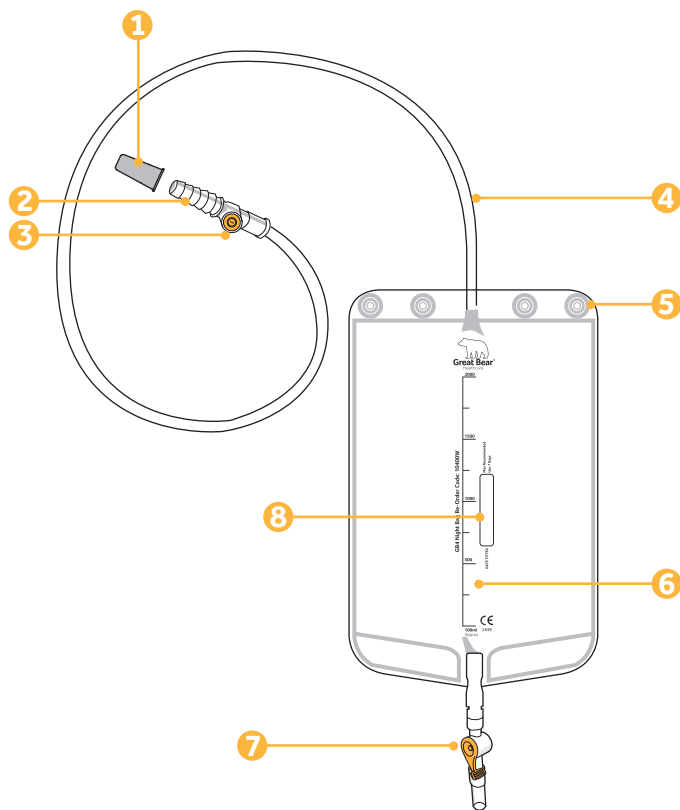
 A UK manufacturer committed to Urology.

## Your GB4 Night Bag

GB4 is a 2 litre bag.

GB4 should be connected directly to a Catheter for continuous drainage and should only be disconnected when a new bag is required - normally every 5-7 days.

GB4 can also be connected directly to a sheath or, if additional drainage is required, a Libra® Leg Bag.



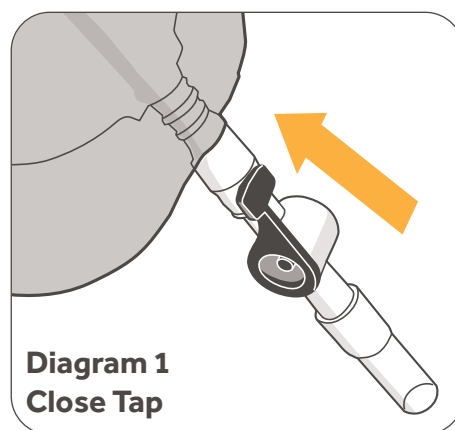
Key	
1 Protective Cap	5 Hanger Holes
2 Ridged Inlet Connector	6 Graduated Scale*
3 Needle Free Sample Port	7 Outlet Tap
4 Inlet Tube	8 Dated Fitted Box

\* The graduated scale is an approximation and should not be used for accurate measurement of urine output

## Instructions For Use

### Before Use

- 1) Wash Hands
- 2) Open peel pouch and remove GB4 from its packaging
- 3) Ensure the lever on the outlet tap (7) is in the closed position (Diagram 1)
- 4) Remove the grey protective cap (1) from the GB4 inlet connector (2)

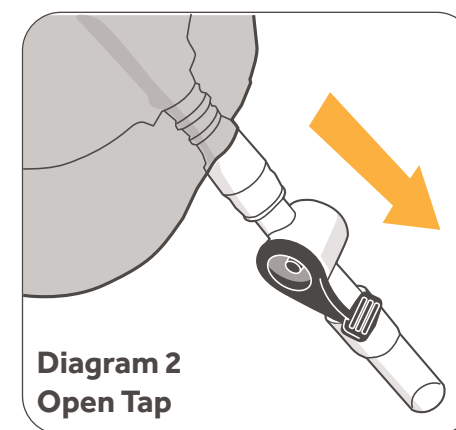


### Direct Connection

- 1) Insert the ridged inlet connector (2) into the end of the Indwelling Catheter or Sheath. Insert the connector fully to allow a secure connection
- 2) The GB4 should be positioned on a night stand using the hanger holes (5) located at the top of the GB4
- 3) Ensure the GB4 is positioned on a night stand at a level below the bladder for optimal drainage
- 4) Make sure the inlet tubing (4) isn't kinked which can restrict the flow of urine

### Emptying

- 1) Empty the GB4 by pushing the lever on the outlet tap (7) downwards (Diagram 2)
- 2) After emptying, wrap the outlet tap with a tissue and pat a number of times before gently wiping around and inside the valve. This will dislodge any residual urine
- 3) Remember to close the tap after emptying (Diagram 1)



### Storage and Disposal

- 1) The GB4 should be stored at an ambient temperature and allowed to come to room temperature before use
- 2) Dispose with normal household waste – do not flush down the toilet

## Cautions

- Ensure you fill in the Date Fitted Box (9) to allow you to monitor how long the GB4 Fold Up has been in use. Change the GB4 Fold Up every 5-7 days
- The GB4 Fold Up should not be reused after disconnection from a catheter due to increased risk of infection
- Keep out of the reach of children
- Use of any medical device carries associated risks. Device failures are rare, however in the event of a device failure of this product, you should contact Great Bear Healthcare using the details provided within this leaflet
- If a failure has resulted in a serious incident, such as significant deterioration of health or death, you should contact Great Bear Healthcare and your local Competent Authority as soon as possible. Details of your local Competent Authority can be found on your local government website

## Order Codes

Code	Product Description
10402Y	GB4 Fold Up Night Bag – Prescription
10403Z	GB4 Fold Up Night Bag – Hospital

## Night Stands

It is recommended that you use a night stand or bedside hanger to support the GB4 Fold Up in use.

Code	Product Description
10705P	Flat Pack Hanger
10700J*	Hospital Bed Hanger

\* For hospital use only



## Products available through Nightingale Home Delivery Service

1. Call **Freephone 0800 304 7434**
2. Please ensure you have your GP details to hand.
3. Tell us which products are required and how many.

**That's all – we will do everything else!**

Please make sure you have at least two week's supply in hand before re-ordering.



# GB4 Fold Up Night Bag

## Instructions For Use



**Great Bear Healthcare Ltd**  
 1 Lambourne Crescent,  
 Cardiff Business Park,  
 Cardiff, CF14 5GF  
 T +44 (0) 29 2074 7770

**MediReps Ltd**  
 First Floor, Penrose One,  
 Penrose Dock, Cork City,  
 T23 KW81,  
 Ireland

mail@gbhl.co.uk  
[www.greatbearhealthcare.co.uk](http://www.greatbearhealthcare.co.uk)

GB4FOLDUPIUV5/2022

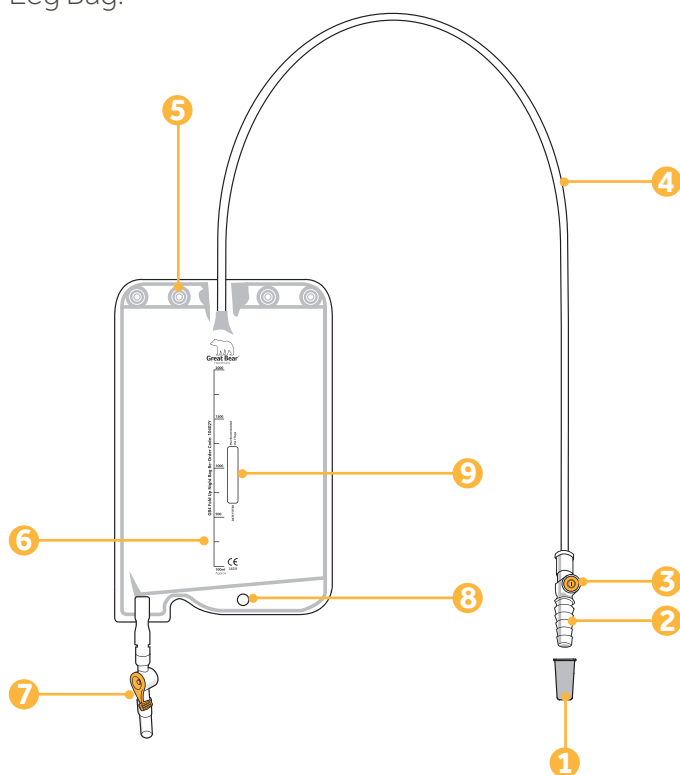
 A UK manufacturer committed to Urology.

## Your GB4 Fold Up Night Bag

GB4 Fold Up is a 2 litre bag.

GB4 Fold Up should be connected directly to a Catheter for continuous drainage and should only be disconnected when a new bag is required - normally every 5-7 days.

GB4 Fold Up can also be connected directly to a sheath or, if additional drainage is required, a Libra® Leg Bag.



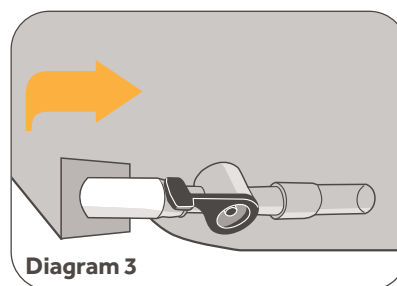
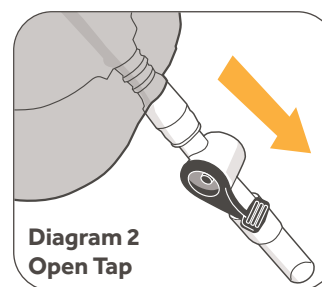
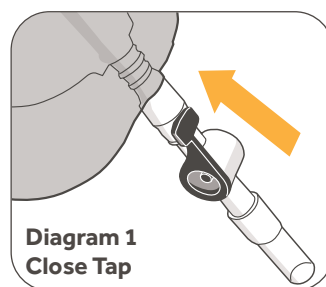
Key	
1 Protective Cap	6 Graduated Scale*
2 Ridged Inlet Connector	7 Outlet Tap
3 Needle Free Sample Port	8 Pre-cut Tap Hole
4 Inlet Tube	9 Dated Fitted Box
5 Hanger Holes	

\* The graduated scale is an approximation and should not be used for accurate measurement of urine output

## Instructions For Use

### Before Use

- 1) Wash Hands
- 2) Open peel pouch and remove GB4 Fold Up from its packaging
- 3) Ensure the lever on the outlet tap (7) is in the closed position (Diagram 1)
- 4) Remove the grey protective cap (1) from the GB4 Fold Up inlet connector (2)



### Direct Connection

- 1) Insert the ridged inlet connector (2) into the end of the Indwelling Catheter or Sheath. Insert the connector fully to allow a secure connection
- 2) The GB4 Fold Up should be positioned on a night stand using the hanger holes (5) located at the top of the GB4 Fold Up
- 3) Ensure the GB4 Fold Up is positioned on a night stand at a level below the bladder for optimal drainage

- 4) Make sure the inlet tubing (4) isn't kinked which can restrict the flow of urine
- 5) To prevent the outlet tap from coming into contact with the floor and other contaminated surfaces, the tap can be folded up into the pre-cut tap hole(8) at the bottom of the bag (Diagram 3)

### Emptying

- 1) Empty the GB4 Fold Up by pushing the lever on the outlet tap (7) downwards (Diagram 2)
- 2) After emptying, wrap the outlet tap with a tissue and pat a number of times before gently wiping around and inside the valve. This will dislodge any residual urine
- 3) Remember to close the tap after emptying (Diagram 1)

### Storage and Disposal

- 1) The GB4 Fold Up should be stored at an ambient temperature and allowed to come to room temperature before use
- 2) Dispose with normal household waste – do not flush down the toilet